

PRODUCT SHEET



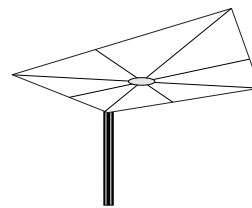
VERSIONS



Forward Square
 • 2.5m/8'2"
 • 3m/9'10"



Straight Square
 • 2.5m/8'2"
 • 3m/9'10"



Spectra Diamond
 • 2.5m/8'2"

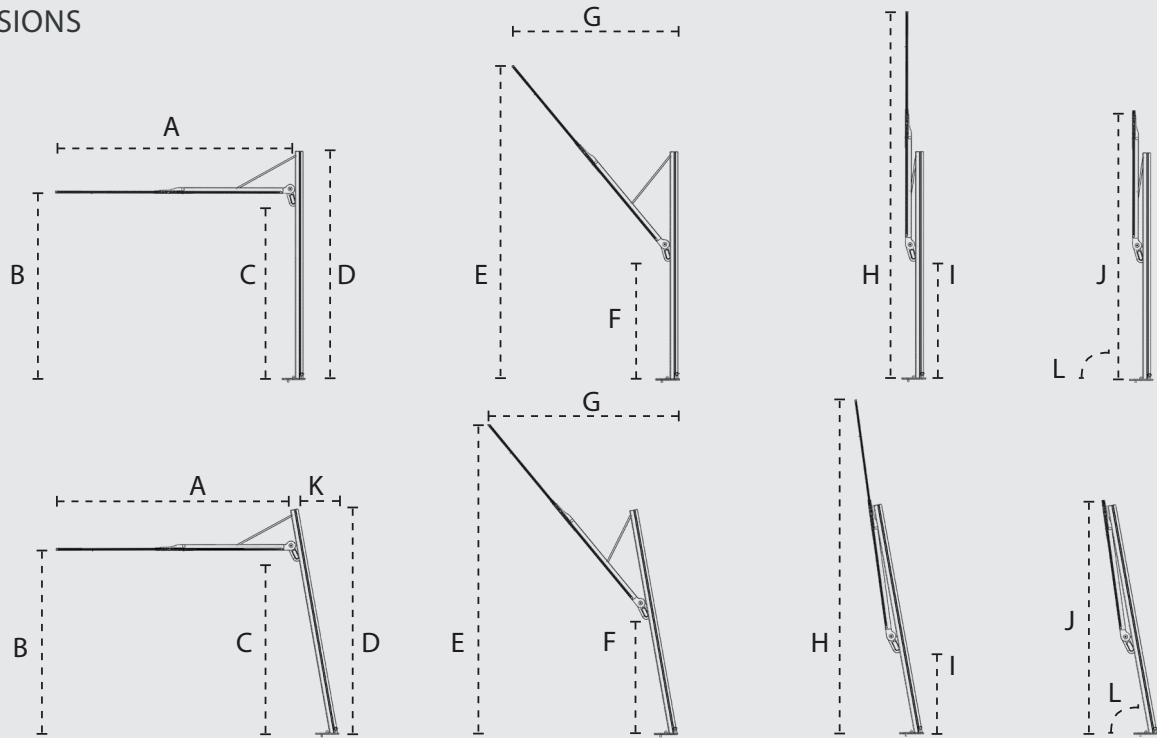
POSITIONS








COLORS

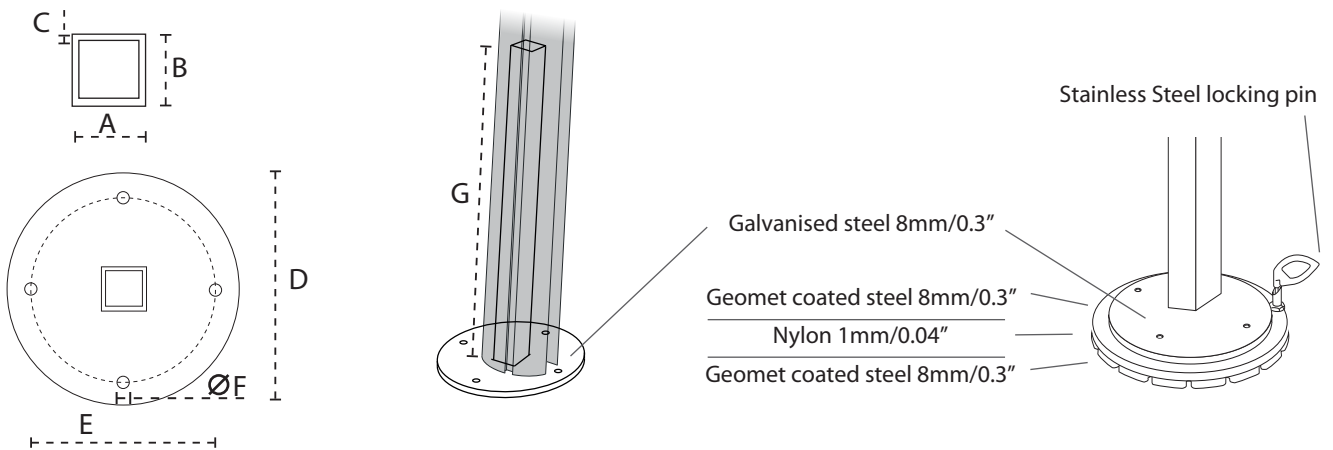
	Alba	Roma	Taupe	Stonegrey	Mandarine	Red	Terra	Sunflower	Camel	Mint	Nero
PREMIUM											
LIMITED											
	Canvas	Taupe	Granite	Orange	Paris Red	Pink	Lagoon	Olive			

DIMENSIONS



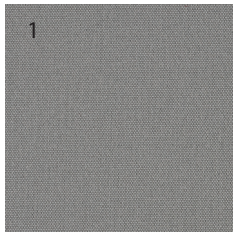
	A cm/ft	B cm/ft	C cm/ft	D cm/ft	E cm/ft	F cm/ft	G cm/ft	H cm/ft	I cm/ft	J cm/ft	K cm/ft	L
 Straight 2.5m	250/8'2"	205/6'9"	195/6'5"	260/8'6"	340/11'2"	150/4'11"	190/6'3"	375/12'4"	100/3'3"	270/8'10"	n/a	90°
 Straight 3m	300/9'10"	205/6'9"	195/6'5"	260/8'6"	350/11'6"	140/4'7"	230/7'7"	390/12'10"	80/2'8"	270/8'10"	n/a	90°
 Forward 2.5m	250/8'2"	195/6'5"	185/6'1"	260/8'6"	340/11'2"	150/4'11"	230/7'7"	365/12'	100/3'3"	260/8'6"	65/2'2"	80°
 Forward 3 m	300/9'10"	195/6'5"	185/6'1"	260/8'6"	350/11'6"	140/4'7"	260/8'6"	380/12'6"	80/2'8"	260/8'6"	65/2'2"	80°
 Diamond 2.5m	253 8'4"	197 6'6"	187 6'2"	255 8'4"	340 11'2"	110 3'7"	210 6'11"	270 8'10"	50 1'8"			

DIMENSIONS / MATERIALS SPIGOT



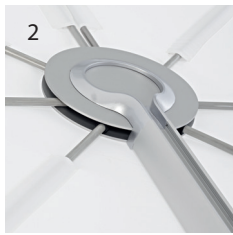
	A mm/inch	B mm/inch	C mm/inch	D mm/inch	E mm/inch	F mm/inch	G mm/inch
Round support	40/1.6"	40/1.6"	3/0.12"	215/8.5"	170/6.7"	11/0.43"	490/17.3"

MATERIALS

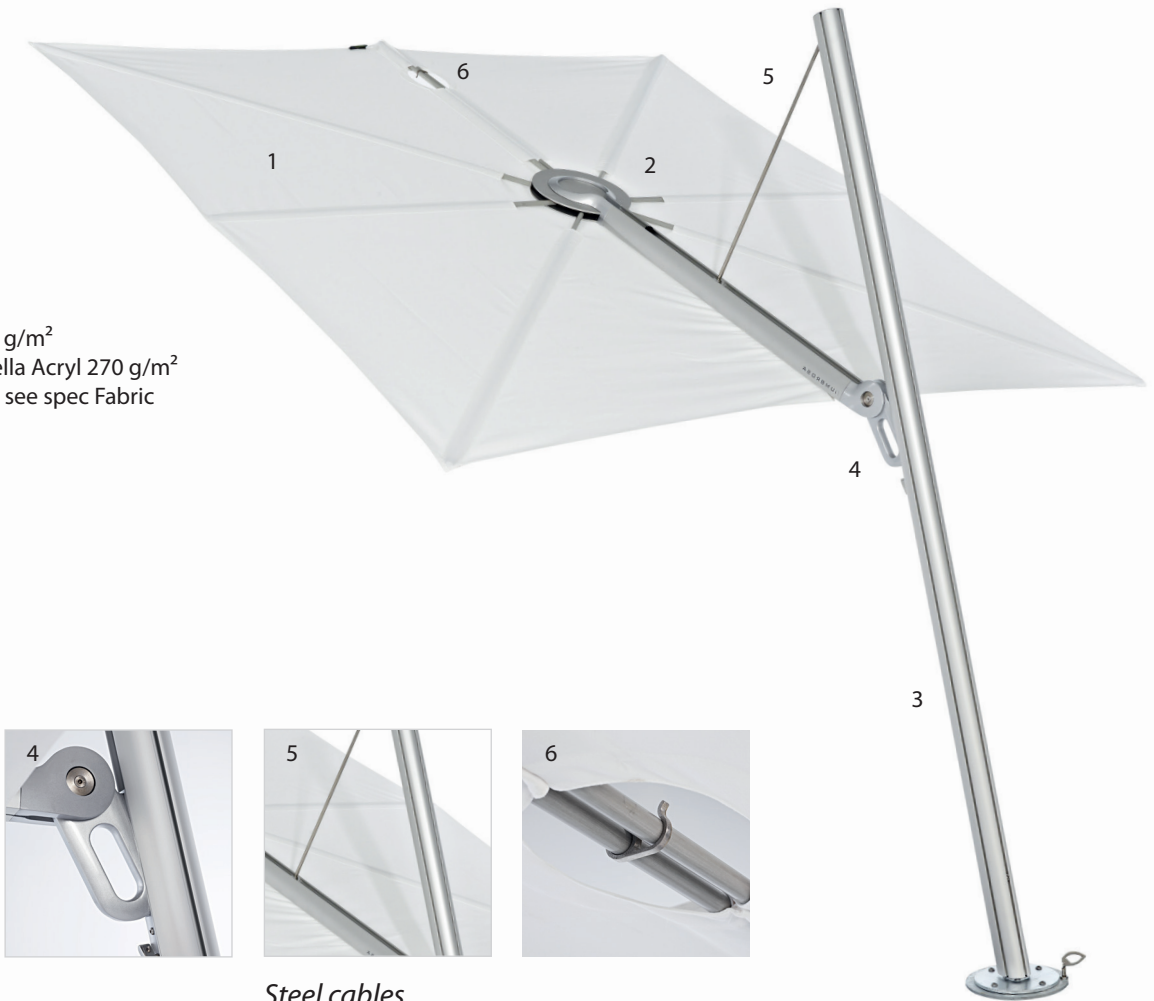
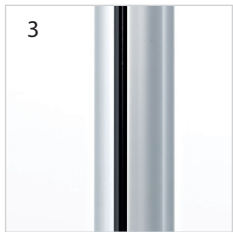


Fabric

- 'Premium': Olefine 190 g/m²
- 'Limited': 100% Sunbrella Acryl 270 g/m²
- For more detailed info, see spec Fabric



Glass Fiber Ribs



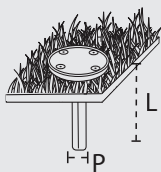
Aluminium

- Aluminium Alloy 6060
- Anodized(profiles) powder coated (casted)

Steel cables

- Stainless steel
- Steel Alloy AISI 304

BASE OPTIONS



CONCRETE ANCHORAGE

L	P	Weight
35 cm	40x40x3 mm	n/a
1'1.8"	1.6"x1.6"x0.12"	n/a

- Galvanised steel
- Pit of 60x60x40cm
- Or 2"x2"x1'4" filled with concrete



ALU COVER - optional

L	W	H	Weight
85 cm	85 cm	12,3 cm	10 kg
34"	34"	5"	25 lb

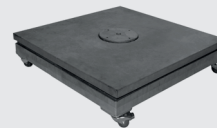
Dimensions and weight of cover only

- Anodized aluminium plate 1,5mm

MOBILE BASE

L	W	H	Weight
80 cm	80 cm	8,5 cm	120 kg
2'7"	2'7"	3.3"	265 lb

- High quality surface finish
- Demountable for easy transport
- Transport : easy manipulation with handle

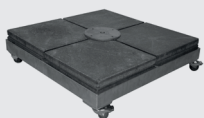


DECORATIVE COVER PLATE IN BLUESTONE - optional

L	W	H	Weight
85 cm	85 cm	4 cm	70 kg
34"	34"	1,5"	155 lb

Dimensions and weight of cover only

- Exclusive finishing: real Belgian bluestone
- Extra weight of 70kg
- Fill with 8 tiles 40x40x40cm or tiles 16"x16"x2"



TILE BASE

L	W	H**	Weight
85 cm	85 cm	15 cm	190 kg*
34"	34"	6"	420 lb

* incl. tiles ** excl. wheels

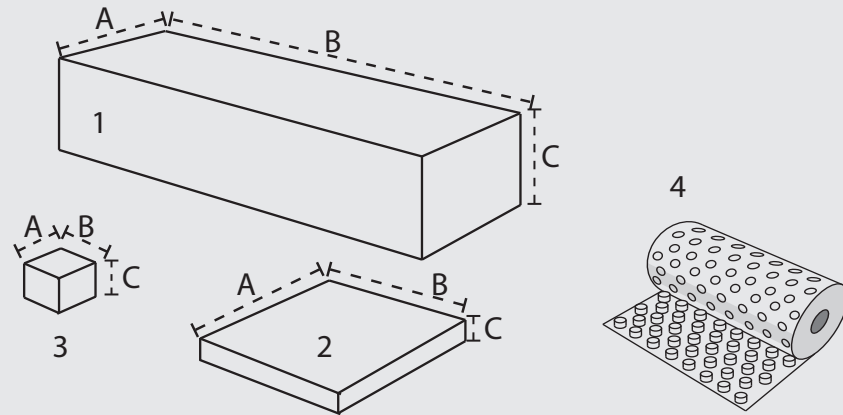
- Galvanised steel
- Fill with 12 tiles 40x40x4cm or 12 tiles 16"x16"x2"



4 SWIVELING WHEELS - optional

H	Weight
6,5 cm	2 kg
2,5"	5 lb

PACKAGING & TRANSPORT



	qty #	Type	A cm/ft,inch	B cm/ft,inch	C cm/ft,inch	Net weight kg/lb	Brut weight kg/lb
Umbrella Box	1	1	36/1'2"	265/8'9"	33/1'1"	6,4/14.1	32/71
Mobile Base Boxes	1	2	29/11.4"	85/2'9.5"	9/3.5"	0,63/1.4	6/12
	3	2	29/11.4"	85/2'9.5"	9/3.5"	0,63/1.4	40/88
Tile Base Box	1	2	26/10.2"	86/2'10"	8/3.1"	0,59/1.3	10/22
In-Ground Fitting Package	1	4	22/8.7"	22/8.7"	38/1'3"	n/a	3,4/7.5
Alu Cover Box	1	2	87/2'10.3"	87/2'10.3"	14/5.5"	1.2/2.65	10/22

NICE TO KNOW

- All parts can be ordered separately
- Designed and made in Belgium
- 2 years on decoloration of Premium fabric / 3 years on Limited
- 2 years warranty on structure
- For more info check: www.umbrosa.com
www.youtube.com/UmbrosalInnovation
www.facebook.com/Umbrosa

As a guideline we refer to the following wind speeds
 6 beaufort, 50km/h, 31 mph.
 Base is permanently fixed.

Tested at **TU Delft**



Umbrella includes:

Manual



Optional:



Storage Bag

- PU coated fabric
- Easy to use thanks to zipper and auxiliary tool