

PRODUCT SHEET



VERSIONS



Lotus



Venus

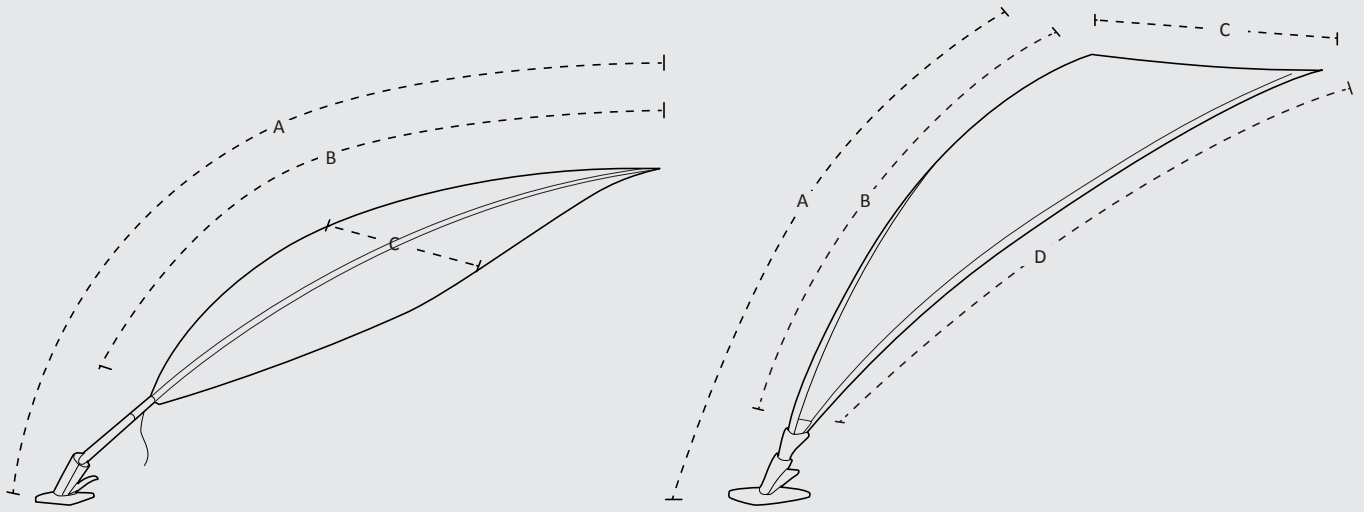
POSITIONS



COLORS

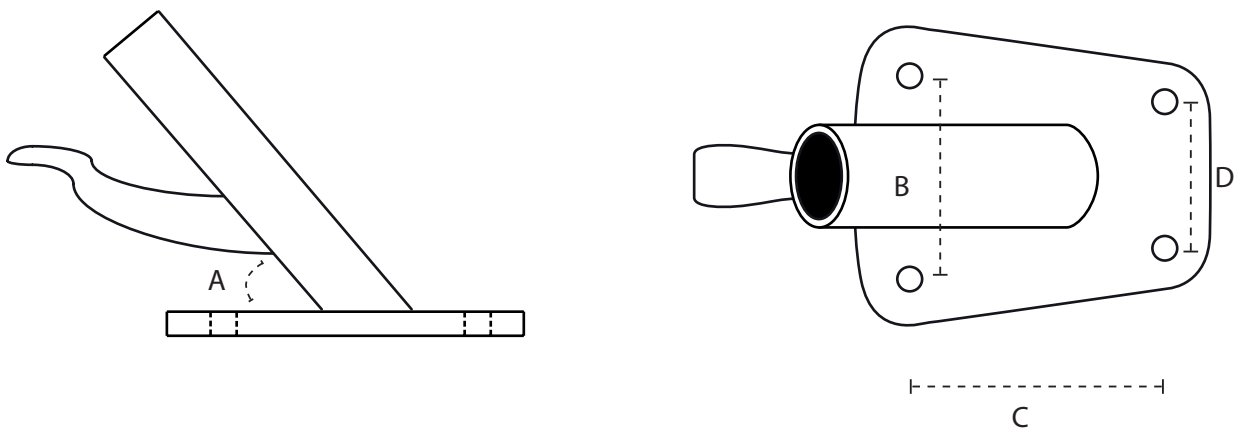
	Alba	Roma	Taupe	Stonegrey	Mandarine	Red	Terra	Sunflower	Camel	Mint	Nero
PREMIUM											
LIMITED											
	Canvas	Taupe	Granite	Orange	Paris Red	Pink	Lagoon	Olive			

DIMENSIONS



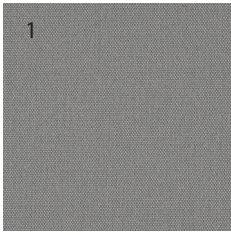
	A cm/ft	B cm/ft	C cm/ft	D cm/ft
LOTUS	320/10'6"	260/8'6"	130/4'3"	/
VENUS	350/11'6"	290/9'6"	145/4'9"	270/8'10"

DIMENSIONS HINGE



	A °	B mm/inch	C mm/inch	D mm/inch
Hinge Dimensions	60	145/5.7"	127/5"	85/3.3"

MATERIALS



Fabric

- 'Premium': Olefine 190 g/m²
- 'Limited': 100% Sunbrella Acryl 270 g/m²
- For more detailed info, see spec Fabric



Glass Fiber
• 10 mm/0.4"



Stainless steel
• Alloy 304
• Lasercut/ folded



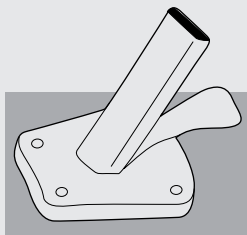
Aluminium
• Anodized aluminium
Alloy 6060



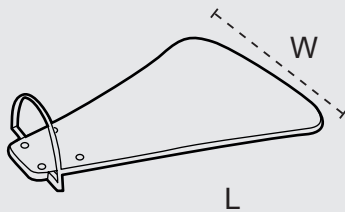
Stainless steel
• Alloy 304
• Investment Casted
• Ball hinge rubber coated




BASE OPTIONS



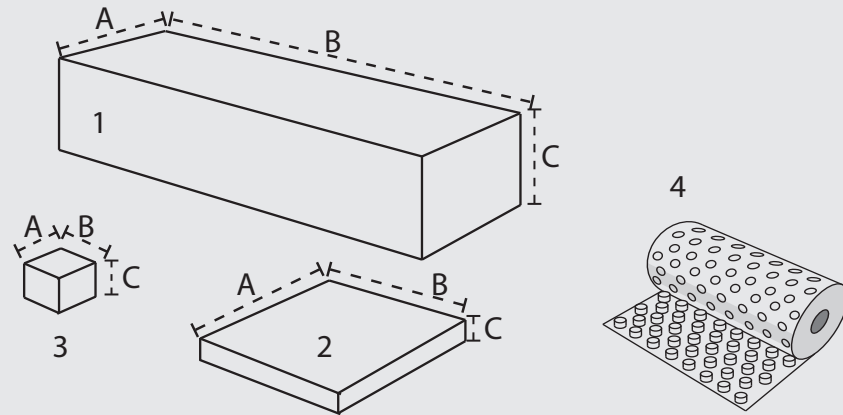
- Fixed base
- 360° turnable
- Fix with chemical ancquerage M8



L	W	H	
70 cm	55 cm	13 mm	26 kg
2'3.5"	1'10"	0.5"	57 lb

- Movable base
- Rolls on nylon wheels

PACKAGING & TRANSPORT



	Qty #	Type	A cm/ft,inch	B cm/ft,inch	C cm/ft,inch	Net weight kg/lb	Brut weight kg/lb
Umbrella Box Lotus/Venus	1	1	24/9.5"	160/5'3"	22/8.7"	2.1/4.6	11/24
Mobile Base Boxes	1	2	57/8'10"	71/2'3.5"	4/1.6"	1/2.2	26/57

NICE TO KNOW

- All parts can be ordered separately
- Designed and made in Belgium
- 2 years on decoloration of Premium fabric / 3 years on Limited
- 2 years warranty on structure
- For more info check: www.umbrosa.com
www.youtube.com/UmbrosalInnovation
www.facebook.com/Umbrosa

As a guideline we refer to the following wind speeds
 6 beaufort, 50km/h, 31 mph.
 Base is permanently fixed.

Tested at **TU Delft**



Umbrella includes:

Manual



Optional:



- Storage Bag
- PU coated fabric
 - Easy to use thanks to zipper and auxiliary tool



Heirweg 198A, 8800 Roeselare, Belgium.
 T: +32 51 30.22.60 | F: +32 51 30.22.62 | E: info@umbrosa.com

The content of this document, in particular the mentioned models, is protected by copyrights and/or design rights. The present document and its content is communicated to you for information purposes only. Any partial or total reproduction or any other use without our prior written permission is strictly prohibited. This technical sheet remains subject to possible changes. Of course we do our best to eliminate all mistakes, but Umbrosa is not responsible for the errors in the documentation of products. All measurements are approximate and are provided for informational purposes only.