

PRODUCT SHEET



VERSIONS

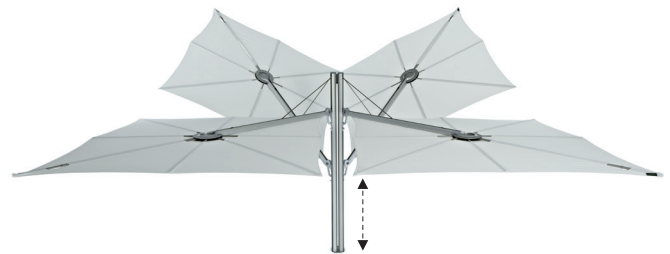
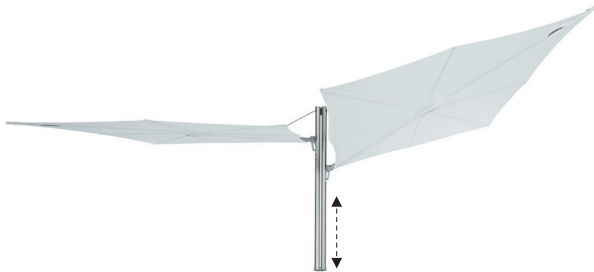


Duo Spectra



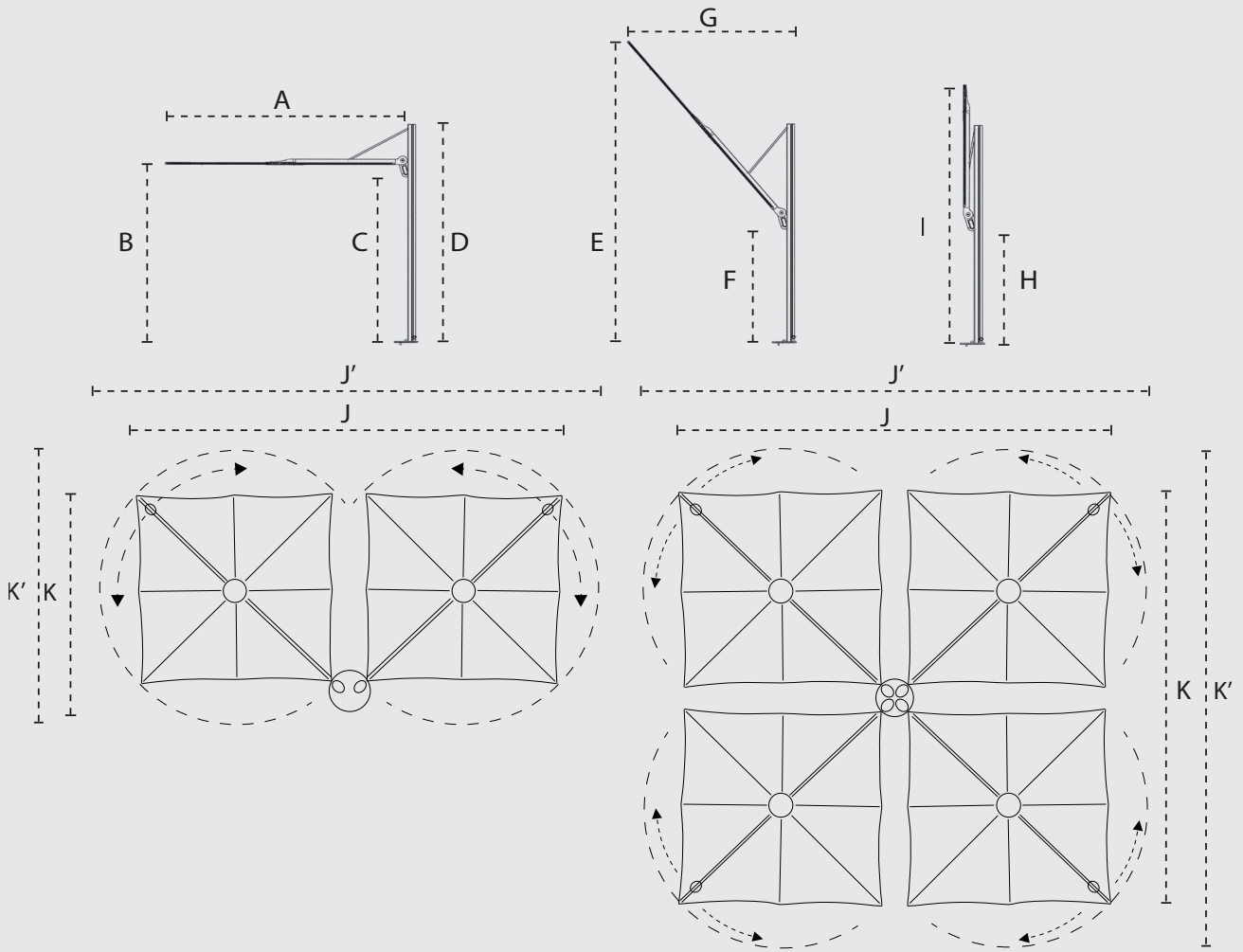
Quatro Spectra

POS



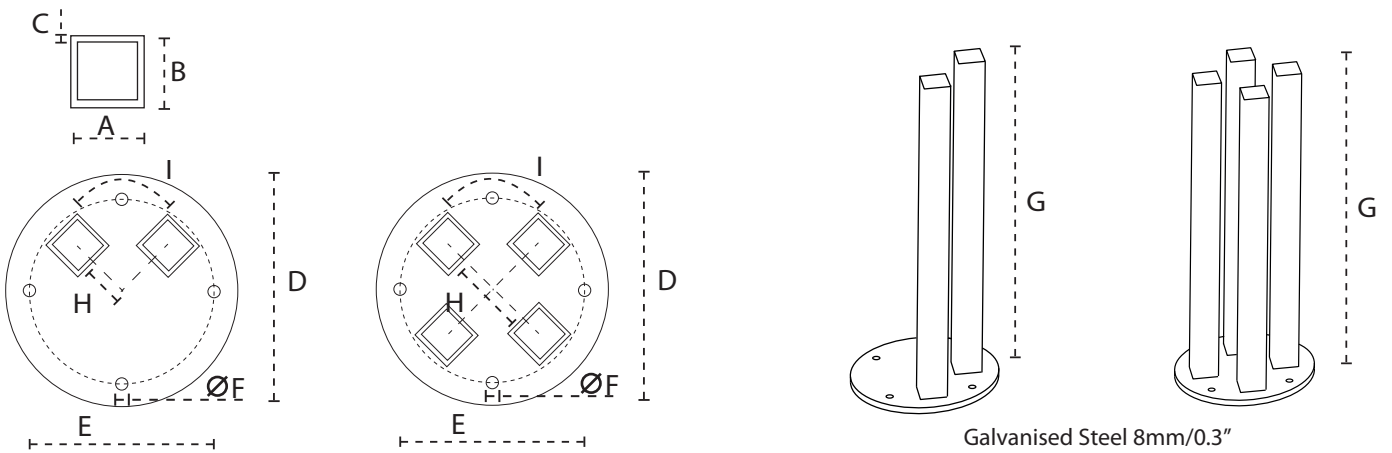
COLORS

	Alba	Roma	Taupe	Stonegrey	Mandarine	Red	Terra	Sunflower	Camel	Mint	Nero
PREMIUM											
LIMITED											
	Canvas	Taupe	Granite	Orange	Paris Red	Pink	Lagoon	Olive			



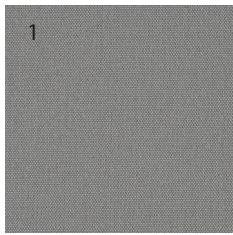
	A cm/ft	B cm/ft	C cm/ft	D cm/ft	E cm/ft	F cm/ft	G cm/ft	H cm/ft	I cm/ft	J cm/ft	J' cm/ft	K cm/ft	K' cm/ft
Spectra Duo	253 8'4"	197 6'6"	187 6'2"	260 8'6"	340 11'2"	110 3'7"	210 6'11"	50 1'8"	270 8'10"	540 17'9"	644 21'2"	285 9'4"	337 11'1"
Spectra Quatro	253 8'4"	197 6'6"	187 6'2"	260 8'6"	340 11'2"	110 3'7"	210 6'11"	50 1'8"	270 8'10"	540 17'9"	644 21'2"	540 17'9"	644 21'2"

DIMENSIONS / MATERIALS SPIGOT



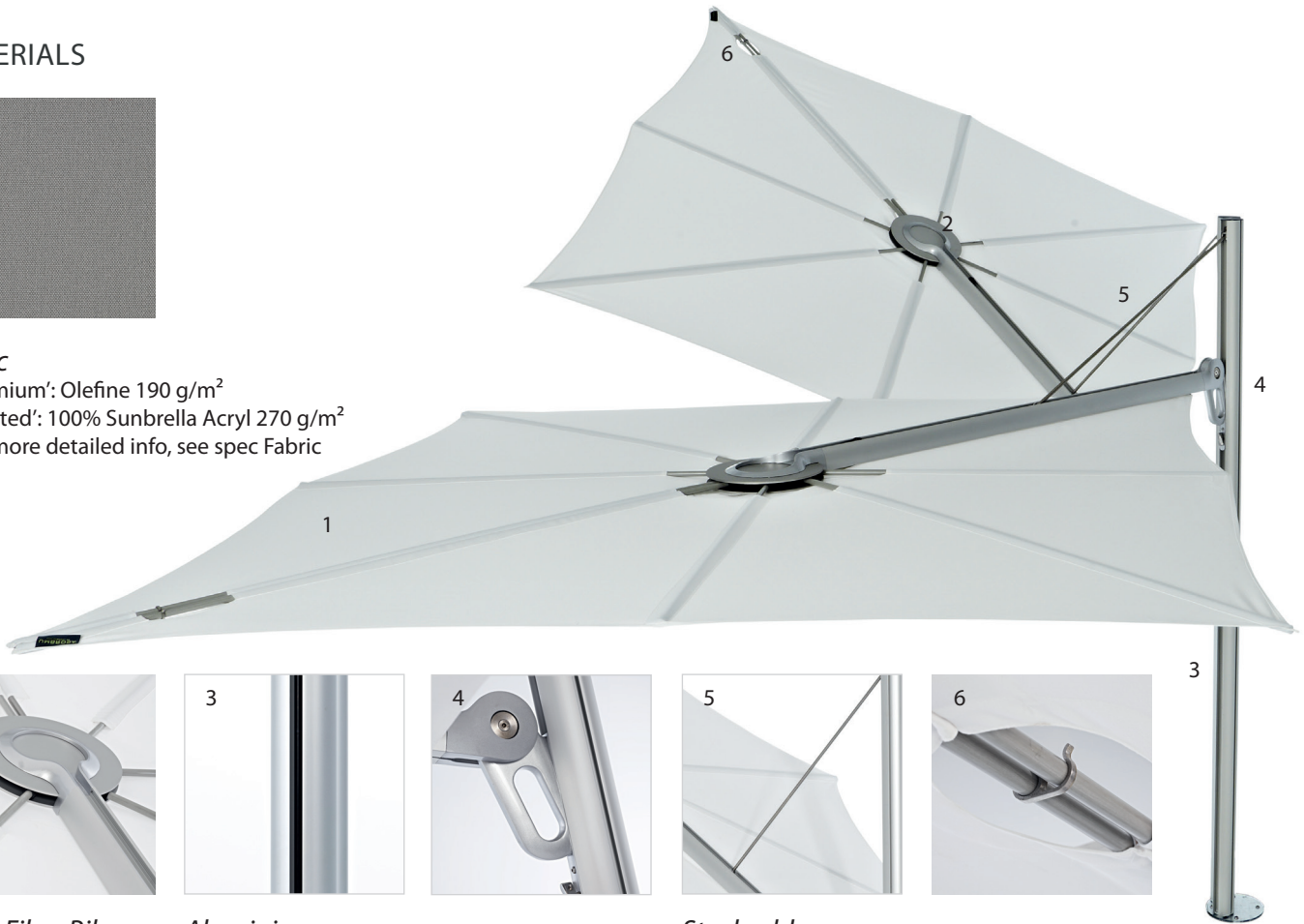
	A mm/inch	B mm/inch	C mm/inch	D mm/inch	E mm/inch	F mm/inch	G mm/inch	H mm/inch	I °
Spigot for Duo Spectra	40/1.6"	40/1.6"	3/0.12"	260/10"	170/6.7"	11/0.43"	490/17.3"	40/1.6"	45
Spigot for Quatro Spectra	40/1.6"	40/1.6"	3/0.12"	260/10"	170/6.7"	11/0.43"	490/17.3"	80/3.1"	45

MATERIALS

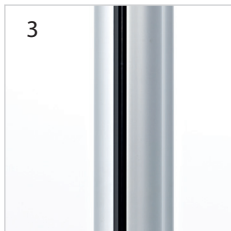


Fabric

- 'Premium': Olefine 190 g/m²
- 'Limited': 100% Sunbrella Acryl 270 g/m²
- For more detailed info, see spec Fabric

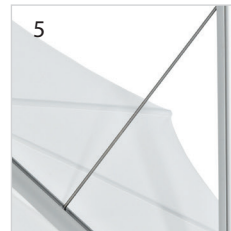


Glass Fiber Ribs



Aluminium

- Aluminium Alloy 6060
- Anodized(profiles) powder coated (casted)

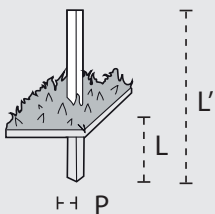


Steel cables

- Stainless steel
- Steel Alloy AISI 304



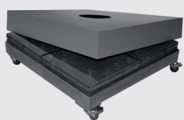
BASE OPTIONS DUO SPECTRA



CONCRETE ANCHORAGE

L	L'	P	Weight
40 cm	90 cm	40x40x3 mm	n/a
14"		1.6"x1.6"x0.12"	n/a

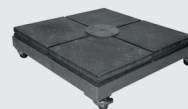
- Galvanised Steel
- Pit of 60x60x40cm or 2"x2"x1'4" filled with concrete



ALU COVER - optional

L	W	H	Weight
85 cm	85 cm	12,3 cm	10 kg
34"	34"	5"	25 lb

- Anodized aluminium plate 1,5 mm

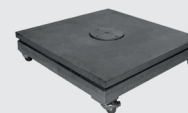


TILE BASE

L	W	H*	Weight
85 cm	85 cm	15 cm	190 kg
34"	34"	6"	420 lb

* excl. wheels

- Galvanised steel
- Fill with 12 tiles 40x40x4cm or 12 tiles 16"x16"x2"



DECORATIVE COVER PLATE IN BLUESTONE - optional

L	W	H	Weight
85 cm	85 cm	4 cm	70 kg
34"	34"	1,5"	155 lb

Dimensions and weight of cover only

- Exclusive finishing: real Belgian bluestone
- Extra weight of 70kg
- Fill with 8 tiles 40x40x4cm or or 12 tiles 16"x16"x2"

4 SWIVELING WHEELS - optional



H	Weight
6,5 cm	2 kg
2,5"	5 lb

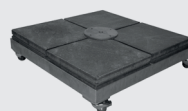
BASE OPTIONS MULTI SPECTRA

CONCRETE ANCHORAGE

- Galvanised Steel
- Pit of 60x60x40cm or 2"x2"x1'4" filled with concrete

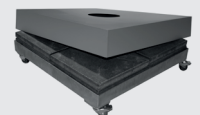
TILE BASE **EXTRA HIGH**

- Galvanised steel
- Fill with 20 tiles 40x40x4cm or 20 tiles 16"x16"x2"
- 315 kg

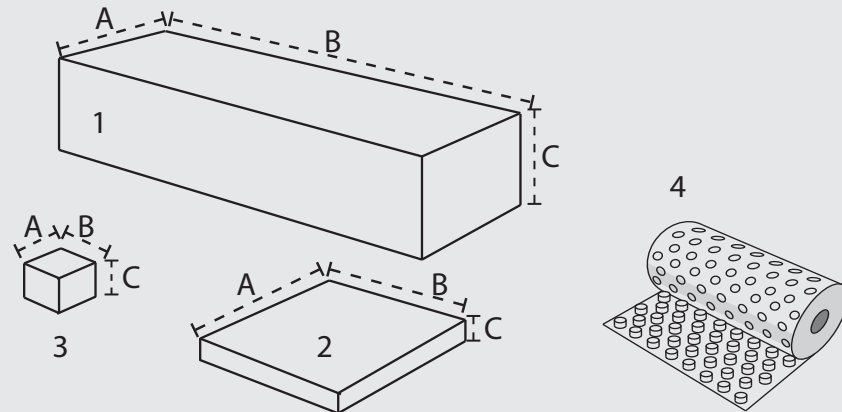


ALU COVER **EXTRA HIGH**

- Anodized aluminium plate 1,5 mm



PACKAGING & TRANSPORT



	qty #	Type	A cm/ft,inch	B cm/ft,inch	C cm/ft,inch	Net weight kg/lb	Brut weight kg/lb
Umbrella Box	1	1	36/1'2"	270/8'10"	33/1'1"	6,4/14.1	32/70.5
Support Duo	1	4	27/10.6"	27/10.6"	50/1'7.7"	n/a	5.6/12.3
Support Quattro	1	4	27/10.6"	27/10.6"	50/1'7.7"	n/a	8.7/19.2
Box Fixation kit Duo	1	3	12/4.7"	10/3.9"	5/2"	0.04/0.09	0.2/0.44
Box Fixation kit Quattro	1	3	12/4.7"	10/3.9"	5/2"	0.04/0.09	0.2/0.44
In-Ground Fitting	1	4	22/8.7"	22/8.7"	38/1'3"	n/a	3.4/7.5

NICE TO KNOW

- All parts can be ordered separately
- Designed and made in Belgium
- 2 years on decoloration of Premium fabric / 3 years on Limited
- 2 years warranty on structure
- For more info check: www.umbrosa.com
www.youtube.com/UmbrosalInnovation
www.facebook.com/Umbrosa

As a guideline we refer to the following wind speeds
 6 beaufort, 50km/h, 31 mph.
 Base is permanently fixed.

Tested at **TU Delft**



Umbrella includes:

Manual



Optional:



Storage Bag

- PU coated fabric
- Easy to use thanks to zipper and auxiliary tool



Heirweg 198A, 8800 Roeselare, Belgium.

T: +32 51 30.22.60 | F: +32 51 30.22.62 | E: info@umbrosa.com

The content of this document, in particular the mentioned models, is protected by copyrights and/or design rights. The present document and its content is communicated to you for information purposes only. Any partial or total reproduction or any other use without our prior written permission is strictly prohibited. This technical sheet remains subject to possible changes. Of course we do our best to eliminate all mistakes, but Umbrosa is not responsible for the errors in the documentation of products. All measurements are approximate and are provided for informational purposes only.